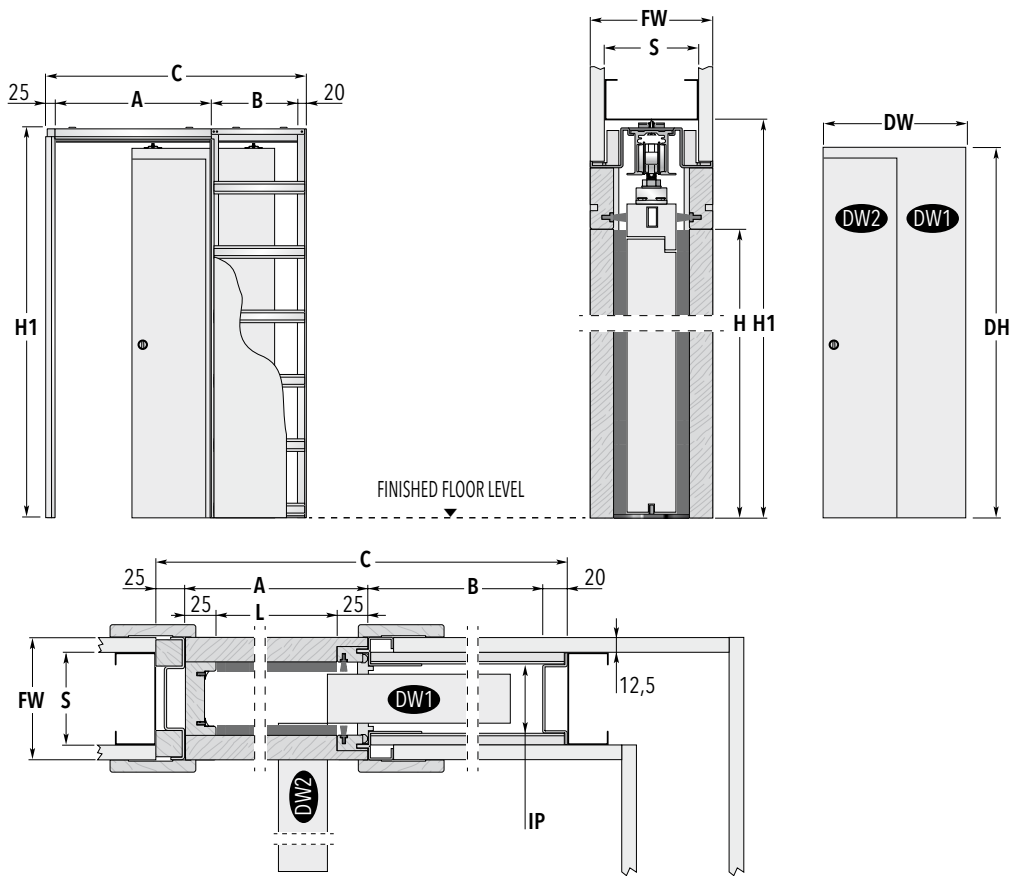


ECLISSE NOVANTA

STUD WALL



SYSTEMS FOR SECTIONAL DOORS - Measures related to International standards, other dimensions available

| PASSAGE SIZE L x H | OVERALL DIMENSIONS C x H1 | A | B | DW1 | DW2 | DOOR PANEL* DH |
|-----------------------|------------------------------|------|-----|-----|-----|-------------------|
| 600 x 2000/2100 | 1010 x 2090/2190 | 650 | 315 | 350 | 310 | 2010/2110 |
| 700 x 2000/2100 | 1210 x 2090/2190 | 750 | 415 | 400 | 360 | 2010/2110 |
| 800 x 2000/2100 | 1310 x 2090/2190 | 850 | 415 | 450 | 410 | 2010/2110 |
| 900 x 2000/2100 | 1510 x 2090/2190 | 950 | 515 | 500 | 460 | 2010/2110 |
| 1000 x 2000/2100 | 1610 x 2090/2190 | 1050 | 515 | 550 | 510 | 2010/2110 |

| FINISHED WALL= FW | STUDWORK= S | INTERNAL PASSAGE= IP |
|-------------------|-------------|----------------------|
| 125 | 100 | 79 |

Dimensions are given in mm.

NON STANDARD SIZES

- ▶ Passage width from 600 mm to 1200 mm.
- ▶ Passage height from 1000 to 2600 mm.

NOTES

- ▶ Max door weight 100 kg.
- ▶ When using pocket with internal dims of 54 mm max. door thickness 40 mm (including any glass holder for glazed door).
- ▶ ECLISSE NOVANTA hosts a single fold-and-slide door.
- ▶ Install at finished floor level.
- * Listed measures refers to wooden door panels only.
- ▶ Always specify the opening direction.

ACCESSORIES

- ▶ Anti-warp profile

